

u-Nova2

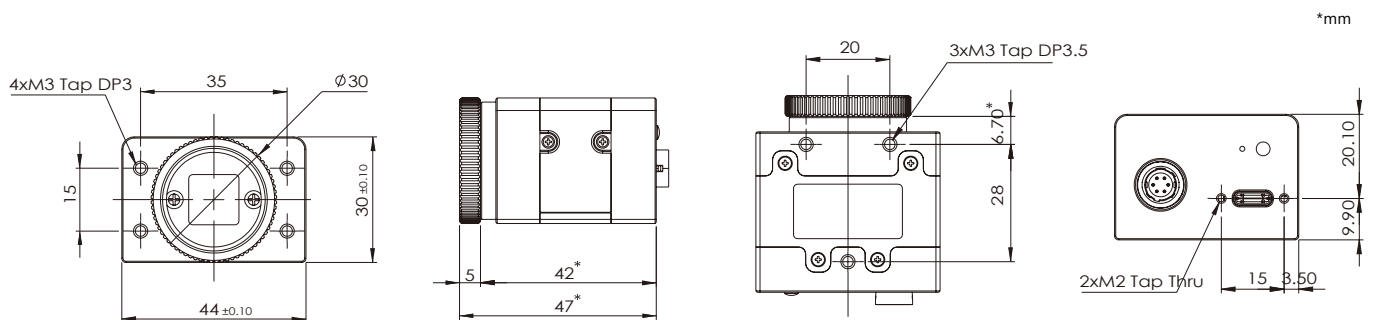
- 2.3 MP, 120 fps @ 1920 x 1200 pixels
- 5 MP, 54 fps @ 2560 x 1936 pixels
- 8.9 MP, 32 fps @ 4096 x 2160 pixels
- CMOS global shutter sensor
- USB 3.0 (5 Gbps super speed) Interface



Specification

Model	uN2-23C uN2-23M	uN2-50C uN2-50M	uN2-89EC
Image sensor	ON-Semi AR0234CS, 1/2.6", CMOS	Te2v Emerald EV2S05MC, 1/1.8", CMOS	Te2v Emerald EV2S8M9C, 2/3", CMOS
Resolution / Frame rate	1920 x 1200 pixels / 120 fps	2560 x 1936 pixels / 54 fps	4096 x 2160 pixels / 32 fps
Shutter mode	Global shutter		
Lens mount	C / CS - mount		
Trigger mode	Free running, external trigger (One shot / Multi shot), software trigger		
Protocol	GenICam compatible		
I/O port	1 x Input for triggering (Low voltage : 0 V ~ 0.8 V / High level : 2 V ~ 5 V) 1 x Output for strobe (3.3 V LVTTTL) x General purpose output (3.3V LVTTTL)		
Interface	USB 3.0 Super speed interface		
Power supply / Power consumption	5 V via USB		
Operating temperature / Humidity	0 °C ~ 50 °C / 20 % ~ 80 %		
Dimension / Weight	44 x 30 x 42 mm / 70 g	44 x 30 x 43.3 mm / 70 g	44 x 30 x 44.3 mm / 70 g
SDK	Viewer and example code (C#, C++)		
Certificate			

Dimension



*uN2-50-89M/C : 기재된 치수 + 1.30