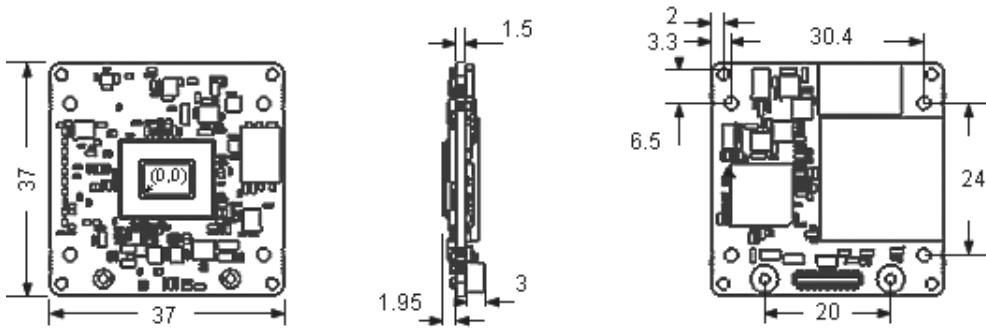
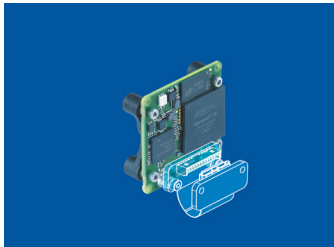


# mvBlueFOX3-3M

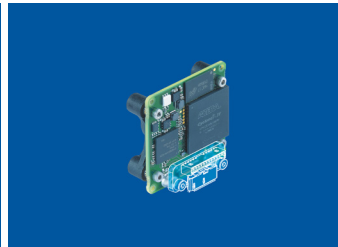


Dimensions in mm

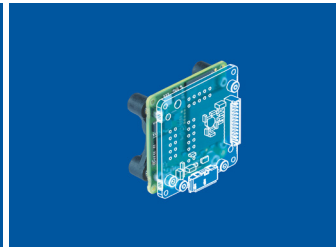
## Application examples for the flexible interface concept



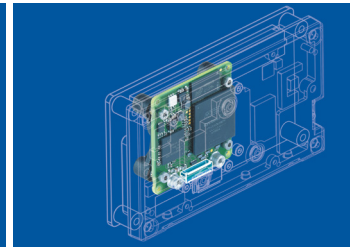
Rigid-flex



Digital I/O



CPU / GPU modules



USB 3.x

## Sensors



mvBlueFOX3-3M	Resolution (H x V pixels)	Sensor size (optical)	Pixel size (µm)	Frame rate	Sensor technology	Readout type	ADC resolution / output in bits	Sensor
-0064Z G/C	3096 × 2080	1/1.8"	2.4 × 2.4	59	CMOS	Rolling	12	Sony IMX178

## Hardware Features

Protocol	Compliant to USB3 Vision
Interface	USB 2.0 / 3.1 (up to 480 Mbit/s / up to 5 Gbit/s)
Image formats	Mono8/10/12/14/16 BayerGR8/10/12/16, RGB8Packed, BGR8Packed, BGRA8Packed, BGR10V2Packed, YUV422/444Packed, YUV422_YUYVPacked onboard color processing
Triggers	External, software based or free run
Size sensor board w/o lens (W x H)	37 × 37 mm
Digital I/Os	4 / 4 (LVTTTL)
Image memory	256 MBytes
Flash (firmware, calibration, user data)	16 MBytes
Driver	mvIMPACT Acquire SDK or any USB3 Vision compliant interface or vision library
Operating systems	Windows®, Linux® – 32 bit and 64 bit
Special features	Board-to-board connector for many integration scenarios