

# GigEPRO

Compact Vision Solution with Integrated Image Processing

MACHINE VISION

## TECHNICAL DATA

Camera model	Sensor	Resolution [px]	Frames per second	Format	Shutter
GP1041M	Monochrome	752 x 480 / WVGA	64	1/3"	global
GP1041C	Color	752 x 480 / WVGA	64	1/3"	global
GP4136M	Monochrome	1280 x 1024 / SXGA	61	1/1.8"	global; rolling; global reset
GP4136IR	Monochrome / NIR	1280 x 1024 / SXGA	61	1/1.8"	global; rolling; global reset
GP4136C	Color	1280 x 1024 / SXGA	61	1/1.8"	global; rolling; global reset
GP4206M	Monochrome	1600 x 1200 / UXGA	52	1/1.8"	global; rolling; global reset
GP4206C	Color	1600 x 1200 / UXGA	52	1/1.8"	global; rolling; global reset
GP2239M	Monochrome	1920 x 1200 / WUXGA	50	1/1.2"	global
GP2239C	Color	1920 x 1200 / WUXGA	50	1/1.2"	global
GP2238M	Monochrome	1920 x 1200 / WUXGA	38	1/1.2"	global
GP2238C	Color	1920 x 1200 / WUXGA	38	1/1.2"	global
GP1305C	Color	2048 x 1536 / QXGA	12	1/2"	rolling
GP2507M	Monochrome	2448 x 2048 / QSXGA	22	2/3"	global
GP2507C	Color	2448 x 2048 / QSXGA	22	2/3"	global
GP1503M	Monochrome	2592 x 1944 / QSXGA	14	1/2.5"	rolling with global reset
GP1503C	Color	2592 x 1944 / QSXGA	14	1/2.5"	rolling with global reset
GP11004M	Monochrome	3840 x 2748 / WQUXGA	7	1/2.3"	rolling with global reset
GP11004C	Color	3840 x 2748 / WQUXGA	7	1/2.3"	rolling with global reset

<b>Lens mount</b>	C, CS
<b>Scanning system</b>	Progressiv
<b>Trigger</b>	External, software, timer based, counter based
<b>Strobe</b>	Sensor, trigger, software, timer based, counter based
<b>Interface</b>	Gigabit Ethernet according to GigE Vision standard / 1 Gbps
<b>Dimensions (WxHxD) [mm]</b>	30 x 30 x 56
<b>Weight [g]</b>	68
<b>Power consumption [W]</b>	2.5 to 4 (hardware specific)
<b>Operating temperature [°C]</b>	0 to +45
<b>Power supply</b>	PoE or 9-24VDC on AUX connector
<b>Cable connector</b>	8 pin (9-24 VDC + digital I/O)
<b>Digital input/output</b>	Opto decoupled (3.3 to 24 V), single input (hardware trigger), dual output (hardware strobe)

# GigEPRO

Compact Vision Solution with integrated Image Processing

MACHINE VISION

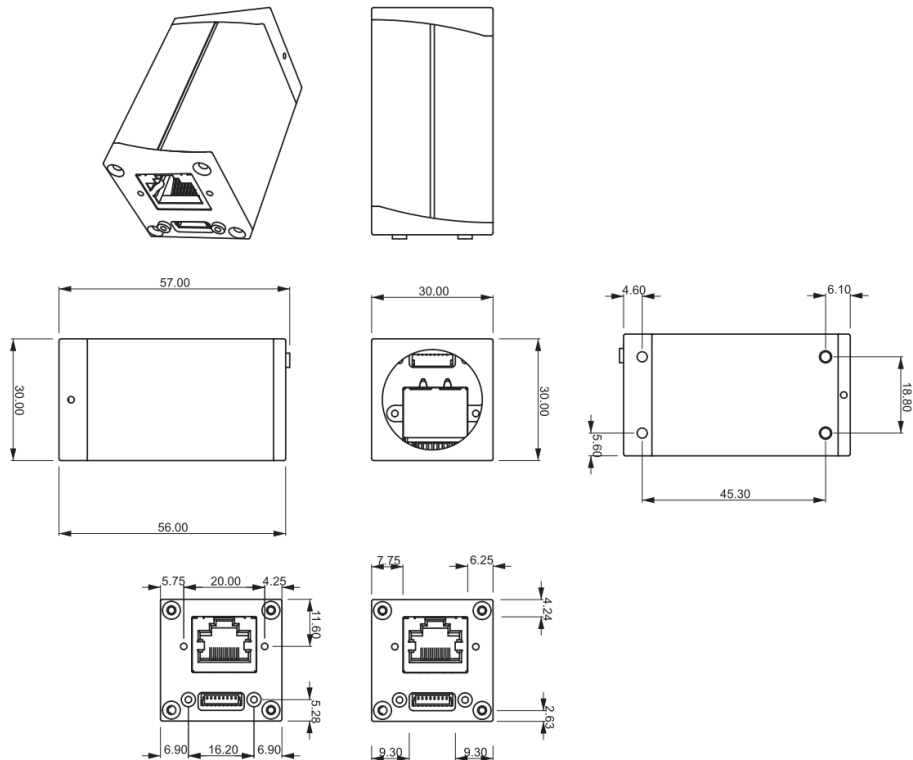
## NET LIBRARY OPTIONS

Function	FPGA Option <sup>1)</sup>	Basic (LX45)		Standard (LX75)		Advanced (LX100)	
		Color	Mono	Color	Mono	Color	Mono
Color Calibration		✓		✓		✓	
5x5 De-Bayering		✓		✓		✓	
Frame Transfer Request		✓	✓	✓	✓	✓	✓
Geometrical Correction (GC)				✓	✓	✓	✓
Flatfield Correction (FFC)				✓	✓	✓	✓
Defect Pixel Correction (DPC)				✓	✓	✓	✓
Bayer Channel Compensation (BCC)			✓		✓		✓
Canny Edge Detection				✓	✓	✓	✓
2D Down Scaling				✓	✓	✓	✓
High Dynamic Range (HDR) <sup>2)</sup>				✓	✓	✓	✓

1) DDR3 memory size: LX45 = 1 GB, LX75 = 2 GB, LX100 = 4 GB

2) for GP2239C/M

## LAYOUT



Unit: mm