

# i-Nova3

## 8.9 MP ITS & Security Camera



Access control



Accident prevention



Surveillance



Speed enforcement

- 8.9 MP, 30 fps @ 4096 x 2160 pixels
- Te2v EV2S8M9C CMOS global shutter sensor
- Multi shot trigger mode (Max. 4 frames)
- JPEG, H.264 / H.265, YUV420
- GenICam, ONVIF

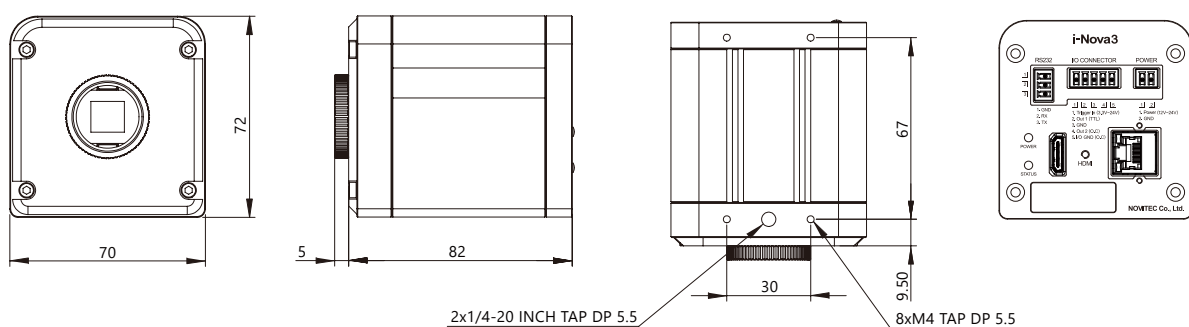


### Specification

Model	iN3-89EC
Image sensor	Te2v Emerald EV2S8M9C, 2/3", CMOS
Resolution / Frame rate	4096 x 2160 pixels / 30 fps
Shutter mode	Global shutter
Lens mount	C / CS - mount
Filter switcher	IR cut filter on / off
Trigger mode	Pseudo trigger, external trigger (One shot / multi shot), software trigger
Protocol	RTSP (H.264 / H.265, MJPEG*), GigE Vision protocol, GenICam, ONVIF**
I/O port	1 x Input for triggering (Low voltage : 0 V ~ 0.8 V / high level : 2 V ~ 24 V) 2 x Strobe (TTL, open collector) RS232C
Interface	100 / 1000 Mbps Ethernet (RJ45)
HDMI	HDMI A (Locking) ※ UHD support not available
Power supply / Power consumption	12 V DC ~ 24 V DC / Max. 8.5 W
Operating temperature / Humidity	0 °C ~ 50 °C / 20 % ~ 80 %
Dimension / Weight	70 x 72 x 82 mm / 665 g
SDK	Viewer and example code (C++)
Certificate	KC, CE

\*UHD support unavailable in MJPEG  
\*\*Camera settings control unavailable

### Dimension



\*mm