

i-Nova2-Motor

2 MP camera with 3 motorized zoom lens



Surveillance



Speed enforcement



Accident prevention

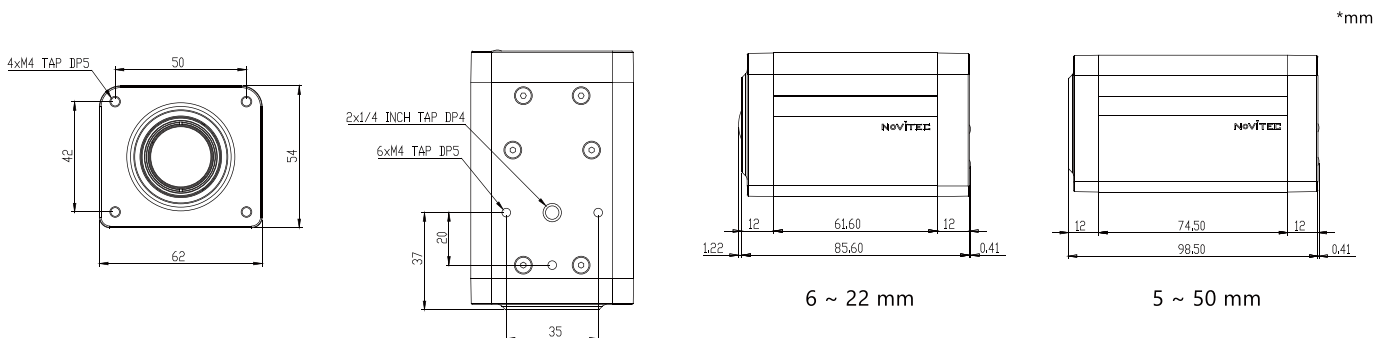
- Full HD, 30 fps @ 1920 x 1080 pixels
- Sony / ON-Semi CMOS global shutter sensor
- 6 ~ 22 mm (X3.6) / 5 ~ 50 mm (X10) zoom lens
- 3 motorized IR corrected zoom lens
- 1 Gbps Ethernet



Specification

Model	iN2M-23SC-6M22 iN2M-23SC-5M50	iN2M-23OC-6M22 iN2M-23OC-5M50
Image sensor	Sony IMX392, 1/2.3", CMOS	ON-Semi AR0234CS, 1/2.6", CMOS
Resolution / Frame rate	1920 x 1080 pixels / 30 fps	
Shutter mode	Global shutter	
Lens control / Focal length	Motorized zoom / focus / iris / 6 ~ 22 mm, 5 ~ 50 mm	
Filter switcher	IR cut filter on / off	
Trigger mode	Pseudo trigger, external trigger (One shot / multi shot), software trigger	
Protocol	RTSP (MJPEG, H.264), Novitec protocol (JPEG), ONVIF	
I/O port	1 x Input for triggering (Low voltage : 0 V ~ 0.8 V / high level : 2 V ~ 24 V) 2 x Strobe (TTL, open collector)	
Interface	100 / 1000 Mbps Ethernet (RJ45)	
Power supply / Power consumption	12 V DC ~ 24 V DC / < 4 W	
Operating temperature / Humidity	0 °C ~ 50 °C / 20 % ~ 80 %	
Dimension / Weight	6M22 : 62 x 54 x 85.6 mm / 319 g	5M50 : 62 x 54 x 98.5 mm / 375 g
SDK	Viewer and example code for Novitec protocol (C#, C++, Python)	
Certificate	KC, CE	

Dimension



30-18, Baekjegobun-ro 39-gil, Songpa-gu, Seoul, South-Korea

Tel | +82-70-7122-1000 Fax | +82-70-7159-1315 E - mail | sales@novitec.co.kr

www.novitec.co.kr