

# i-Nova2-Zoom

2 MP camera with 3 motorized zoom lens



surveillance



Accident prevention



Speed enforcement

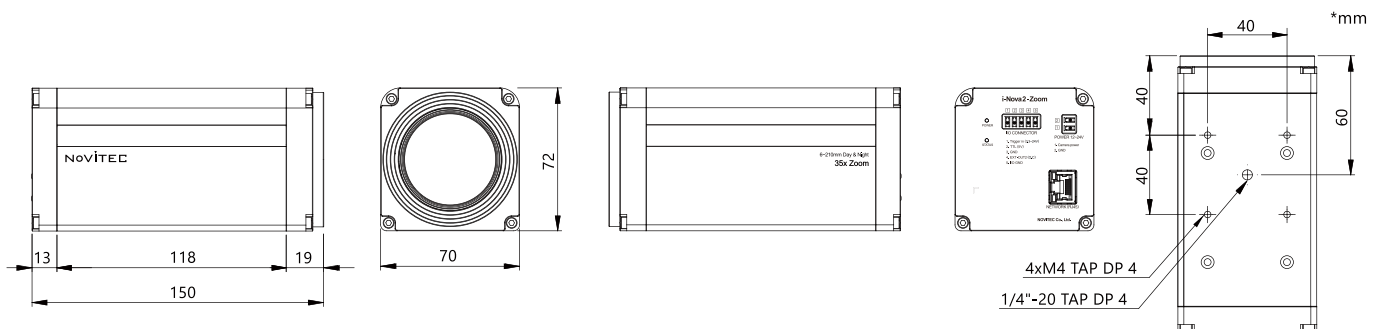
- Full HD, 30 fps @ 1920 x 1080 pixels
- Sony IMX265 CMOS global shutter sensor
- 6 ~ 210 mm (X35) zoom lens
- 3 motorized IR corrected zoom lens
- IR cut filter on / off



## Specification

Model	iN2Z-32SC-6Z210
Image sensor	Sony IMX265, 1/1.8", CMOS
Resolution / Frame rate	1920 x 1080 pixels / 30 fps
Shutter mode	Global shutter
Lens control	Motorized zoom / focus / iris
Focal length	6 ~ 210 mm
Filter switcher	IR cut filter on / off
Trigger mode	Pseudo trigger, external trigger (One shot / multi shot), software trigger
Protocol	RTSP (MJPEG, H.264), Novitec protocol (JPEG), ONVIF
I/O port	1 x Input for triggering (Low voltage : 0 V ~ 0.8 V / high level : 2 V ~ 24 V) 2 x Strobe (TTL, open collector)
Interface	100 / 1000 Mbps Ethernet (RJ45)
Operating temperature / Humidity	0 °C ~ 50 °C / 20 % ~ 80 %
Power supply / Power consumption	12 V DC ~ 24 V DC / < 6 W
Dimension / Weight	70 x 72 x 150 mm / 795 g
SDK	Viewer and example code for Novitec protocol (C#, C++, Python)
Certificate	KC, CE

## Dimension



30-18, Baekjegobun-ro 39-gil, Songpa-gu, Seoul, South-Korea

Tel | +82-70-7122-1000 Fax | +82-70-7159-1315 E - mail | sales@novitec.co.kr

www.novitec.co.kr