

# i-Nova3-Zoom



Surveillance



Accident prevention



Access control

## 8.9 MP camera with 3 motorized zoom lens

- 8.9 MP, 30 fps @ 4096 x 2160 pixels
- Te2v EV2S8M9C CMOS global shutter sensor
- 10 ~ 300 mm (X30) zoom lens
- 3 motorized IR corrected zoom lens
- GenICam, ONVIF

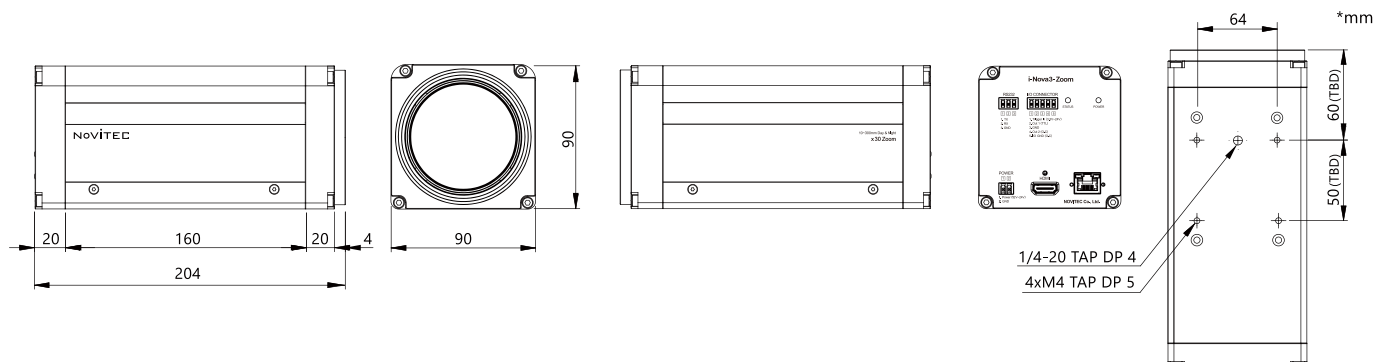


### Specification

Model	iN3Z-89EC-10Z300
Image sensor	Te2v Emerald EV2S8M9C, 2/3", CMOS
Resolution / Frame rate	4096 x 2160 pixels / 30 fps
Shutter mode	Global shutter
Lens control	Motorized zoom / focus / iris
Focal length	10 ~ 300 mm
Filter switcher	IR cut / anti-fog / off
Trigger mode	Pseudo trigger, external trigger (One shot / multi shot), software trigger
Protocol	RTSP (H.264 / H.265, MJPEG*), GigE Vision protocol, GenICam, ONVIF**
I/O port	1 x Input for triggering (Low voltage : 0 V ~ 0.8 V / high level : 2 V ~ 24 V) 2 x Strobe (TTL, open collector) RS232C
Interface	100 / 1000 Mbps Ethernet (RJ45)
Operating temperature / Humidity	0 °C ~ 50 °C / 20 % ~ 80 %
HDMI	HDMI A (Locking) ※ UHD support not available
Power supply / Power consumption	12 V DC ~ 24 V DC / Max.14 W
Dimension / Weight	90 x 90 x 204 mm / 2,000 g
SDK / Certificate	Viewer and example code (C++) / KC, CE

\*UHD support unavailable in MJPEG  
\*\*Camera settings control unavailable

### Dimension



30-18, Baekjegobun-ro 39-gil, Songpa-gu, Seoul, South-Korea

Tel | +82-70-7122-1000 Fax | +82-70-7159-1315 E-mail | sales@novitec.co.kr

www.novitec.co.kr