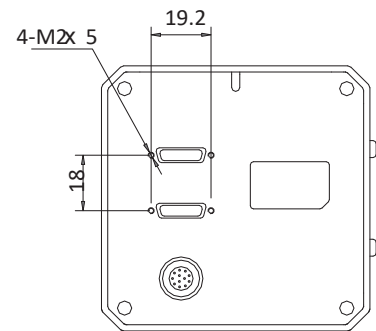
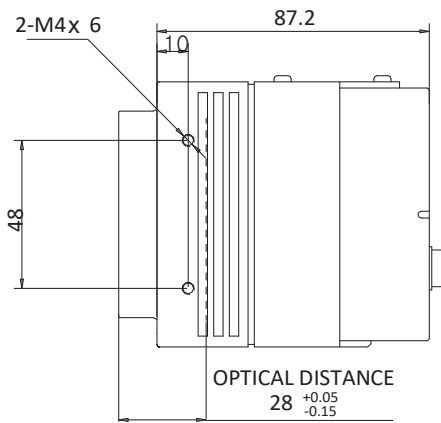
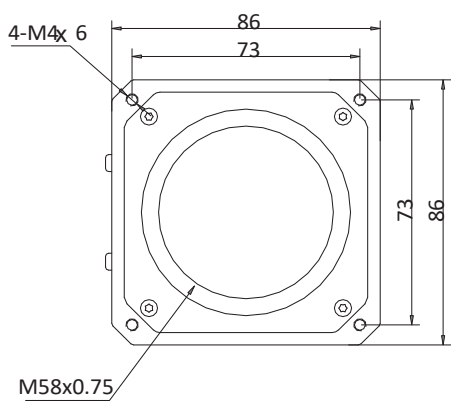




GEN*i*CAM

Dimension



Unit: mm