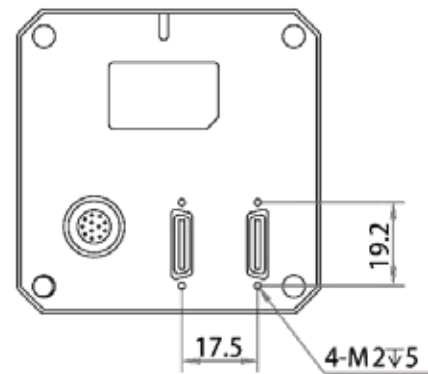
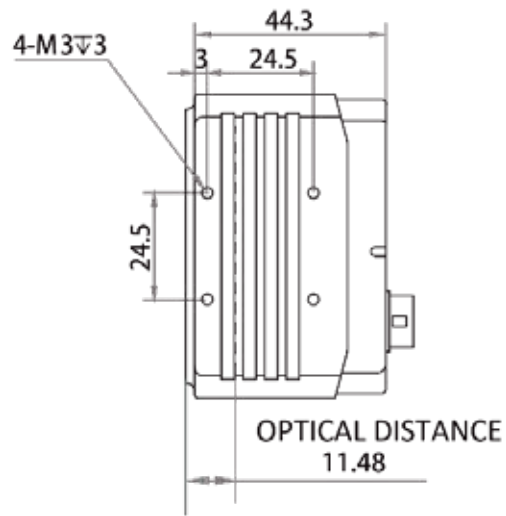
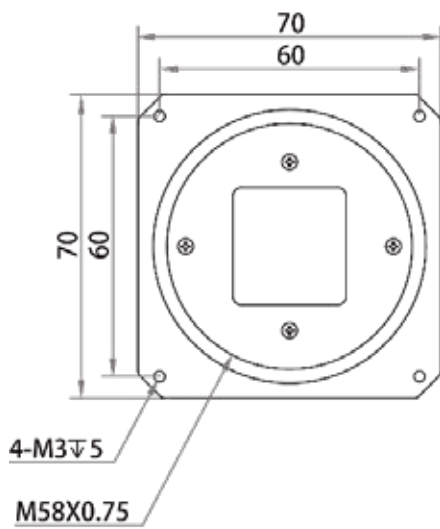




Dimension



Unit: mm