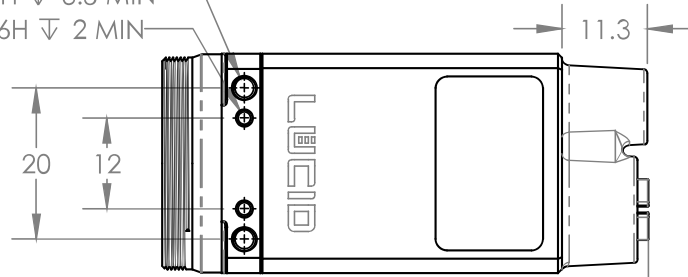


4X M3 - 6H ∇ 3.5 MIN
4X M2 - 6H ∇ 2 MIN



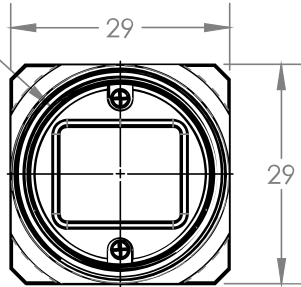
11.3

20

12

11.5

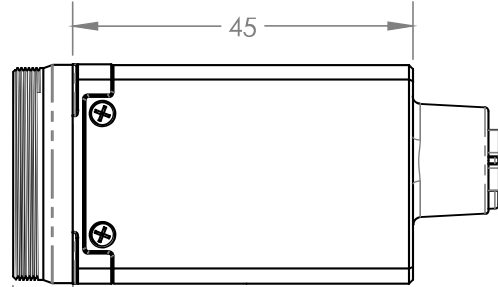
C MOUNT



FRONT VIEW

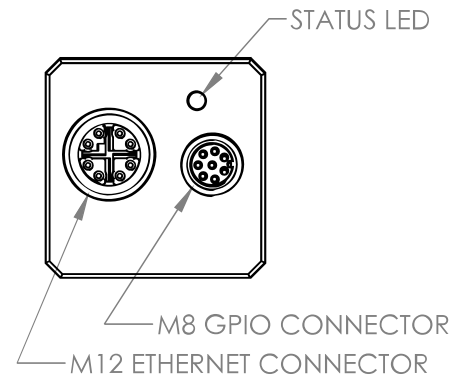
29

29



45

7.9

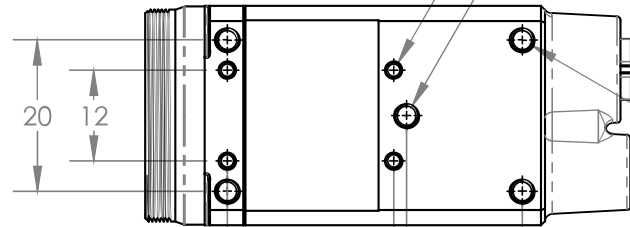


STATUS LED

M8 GPIO CONNECTOR

M12 ETHERNET CONNECTOR

2X M2 - 6H ∇ 3 MIN
M3 - 6H ∇ 3 MIN



2X M3 - 6H ∇ 4.5 MIN

20

12

3

22

23.7

39