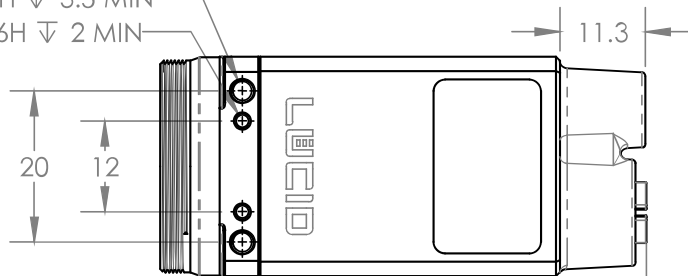
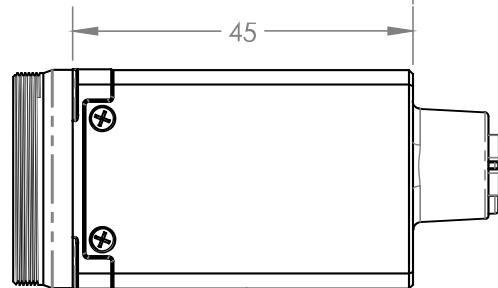


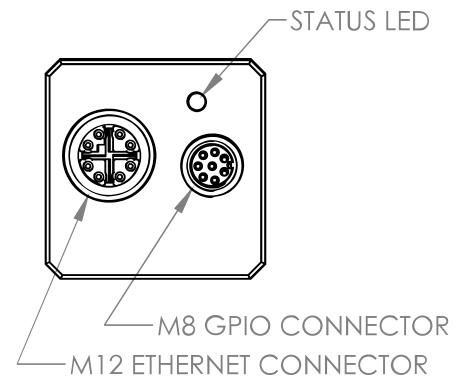
4X M3 - 6H ∇ 3.5 MIN
4X M2 - 6H ∇ 2 MIN



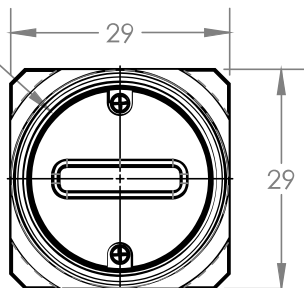
11.5



9.1: TRIO2KA MODEL



C MOUNT



FRONT VIEW

